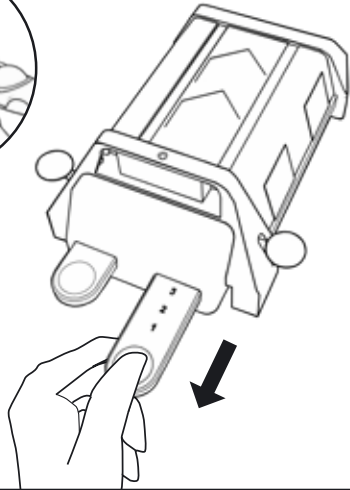
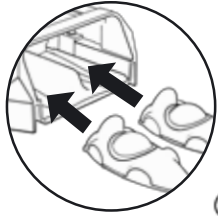
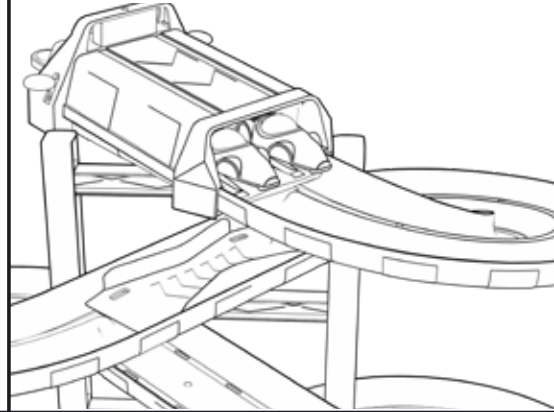
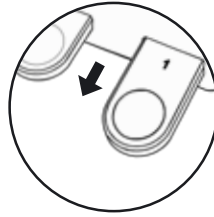


1 LOAD CHARGER



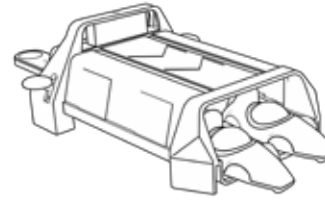
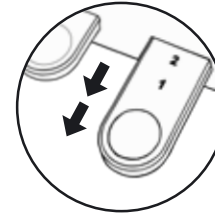
LEVEL 1

COMPATIBLE WITH / AVEC
30550
ROLL RACING TOWER



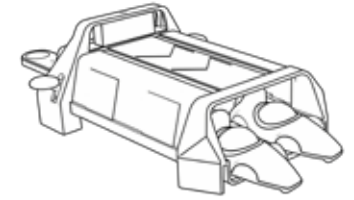
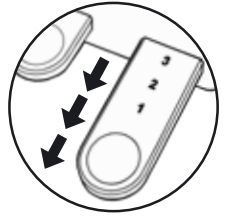
LEVEL 2

ON THE FLOOR
SUR LE SOL

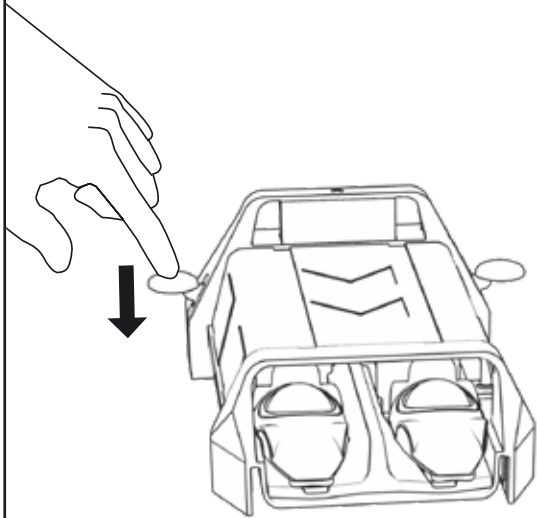


LEVEL 3

ON THE FLOOR
SUR LE SOL

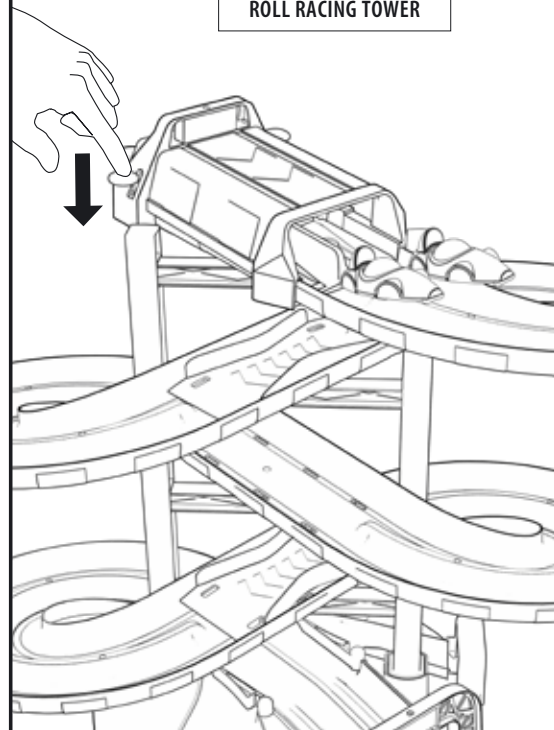


2 RELEASE LIBÉRER



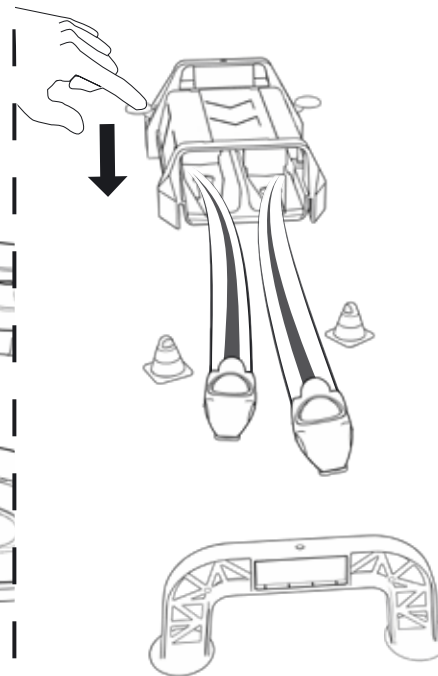
LEVEL 1

COMPATIBLE WITH / AVEC
30550
ROLL RACING TOWER



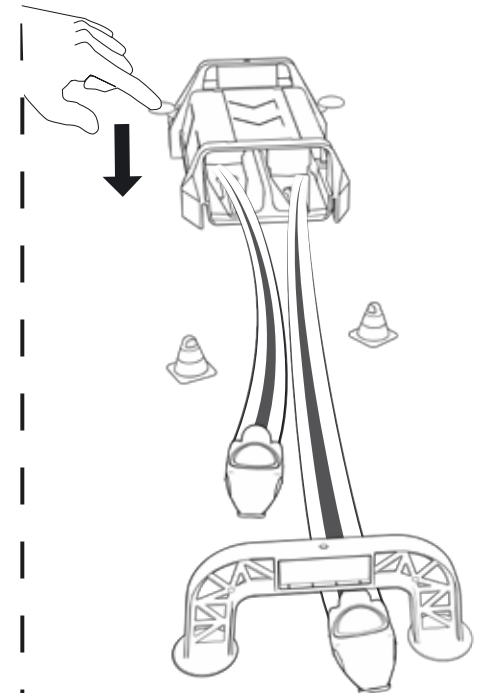
LEVEL 2

ON THE FLOOR
SUR LE SOL



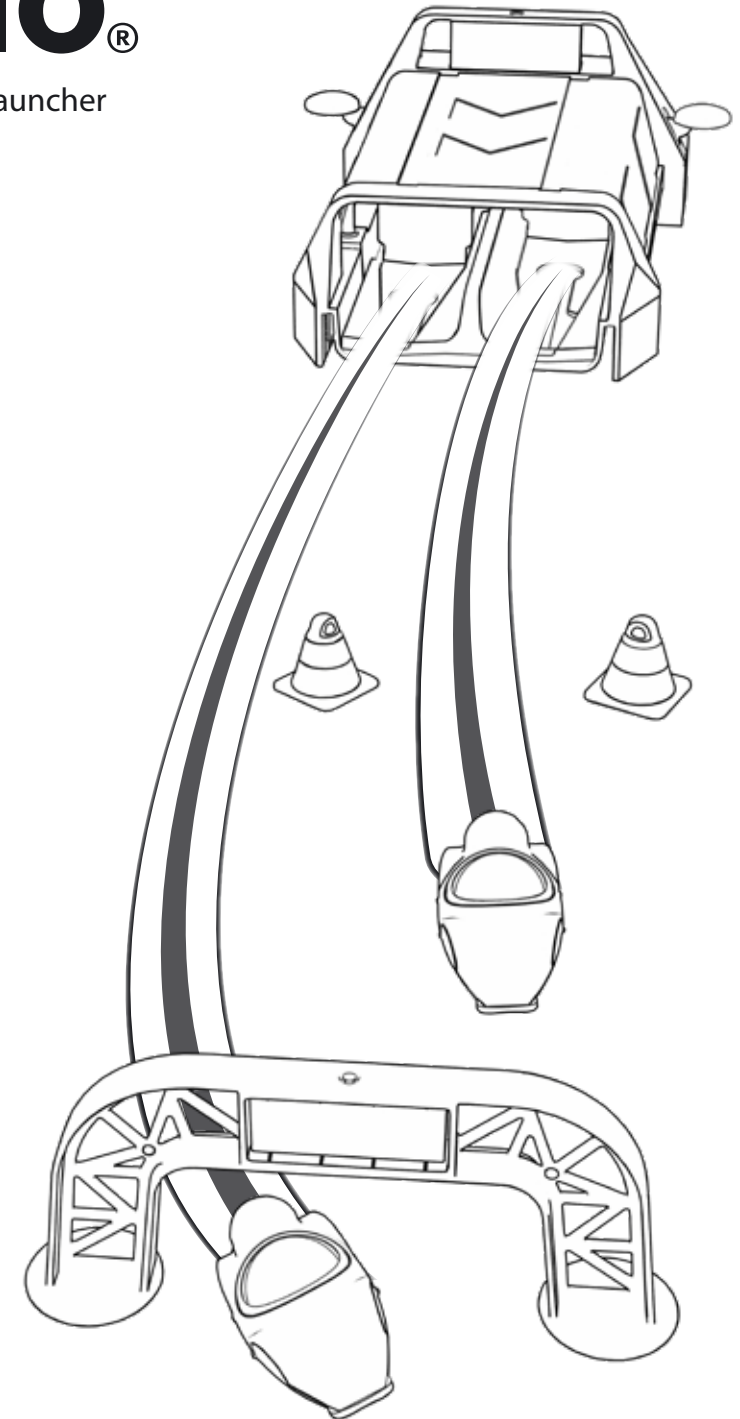
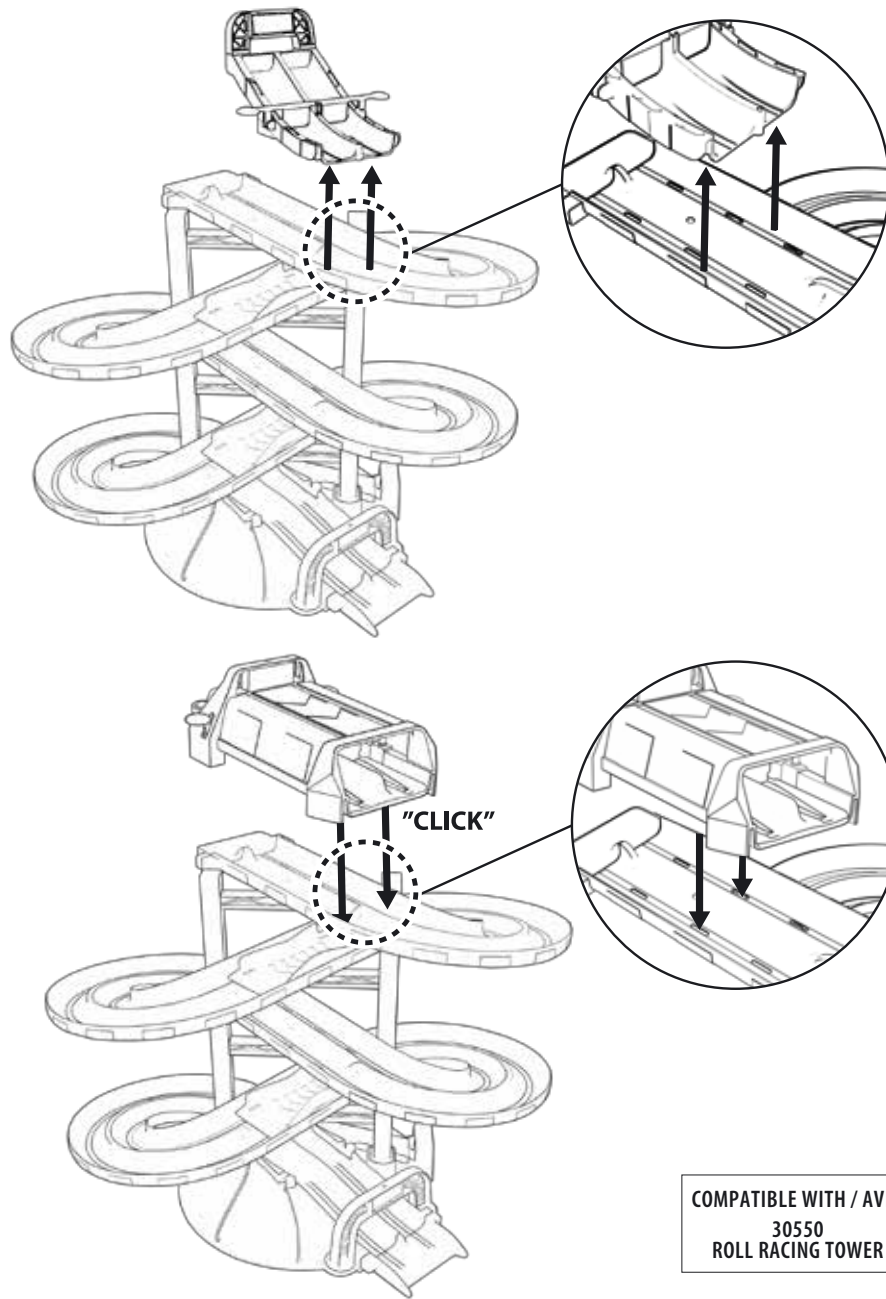
LEVEL 3

ON THE FLOOR
SUR LE SOL



BRIO®

Roll Racing Launcher
30570



Designed by BRIO AB in Sweden 2024 (publ). Manufactured for BRIO AB (publ), Box 305, SE-201 23 Malmö, Sweden. © BRIO AB (publ), Sweden 2024. Made in China. This product and its packaging are protected by intellectual Property Laws of many countries. Violators will be prosecuted. Retain this package for future reference. Please contact above address in case of events. Bitte bewahren Sie diese Informationen für spätere Referenzzwecke auf. Informations à conserver. Conservate la confezione per futuri riferimenti. Conforms to the Safety Requirements of ASTM F963. Conforme aux exigences de sécurité ASTM F963.

